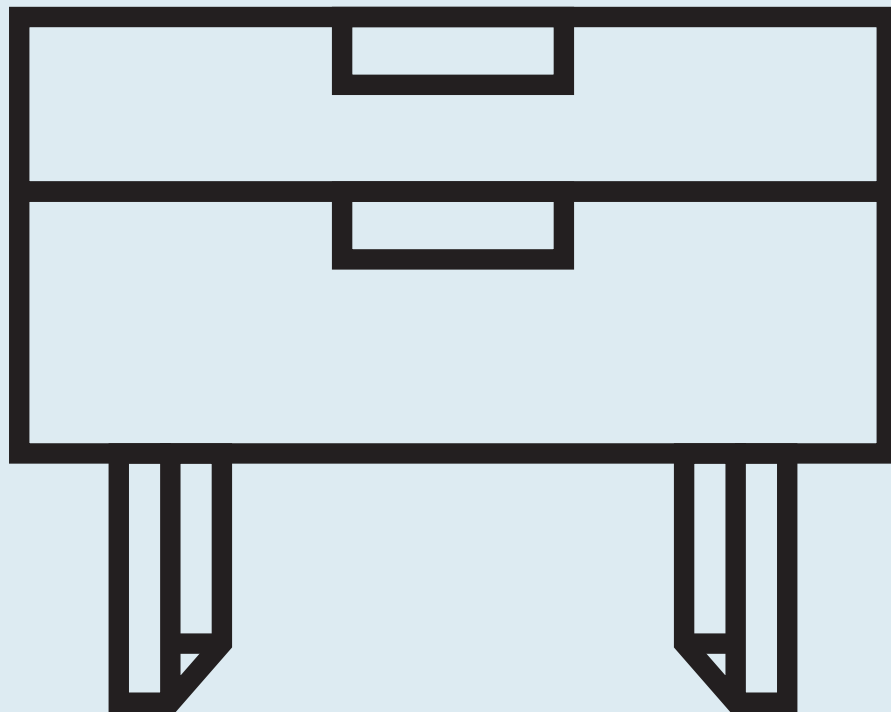
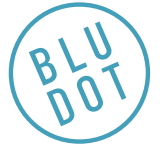


Series 11 Nightstand

DESIGNED IN 2005

ASSEMBLY NOTES | REV 00



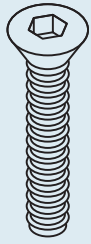
PERFECT FOR STORING SWEATERS, JEANS AND "MARITAL AIDS".

An elegant and refined approach with thin edges and thoughtful proportions. Series Eleven. When ten just isn't quite enough.

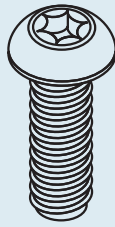
NEED A HAND?

Contact us at service@bludot.com or **844.425.8368** for assistance.

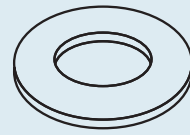
Parts & Hardware



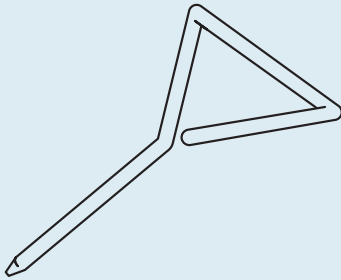
QTY 8
Pt. 1051



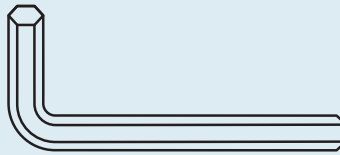
QTY 4
Pt. 1052



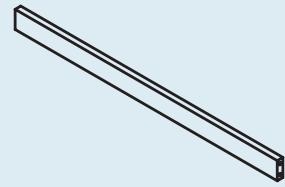
QTY 4
Pt. 3002



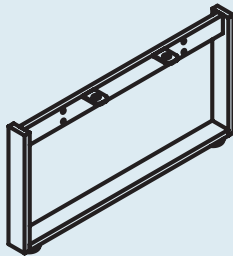
QTY 1
Pt. 9009



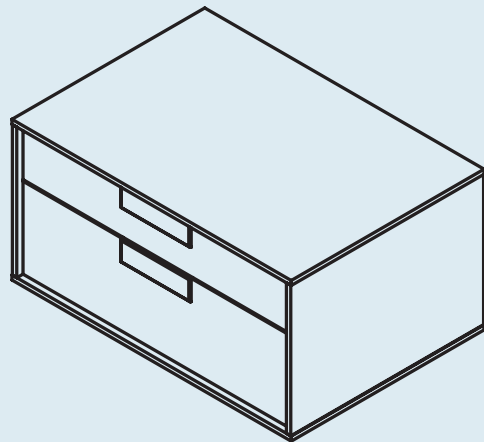
QTY 1
Pt. 9004



QTY 2
Center support



QTY 2
Leg

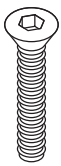
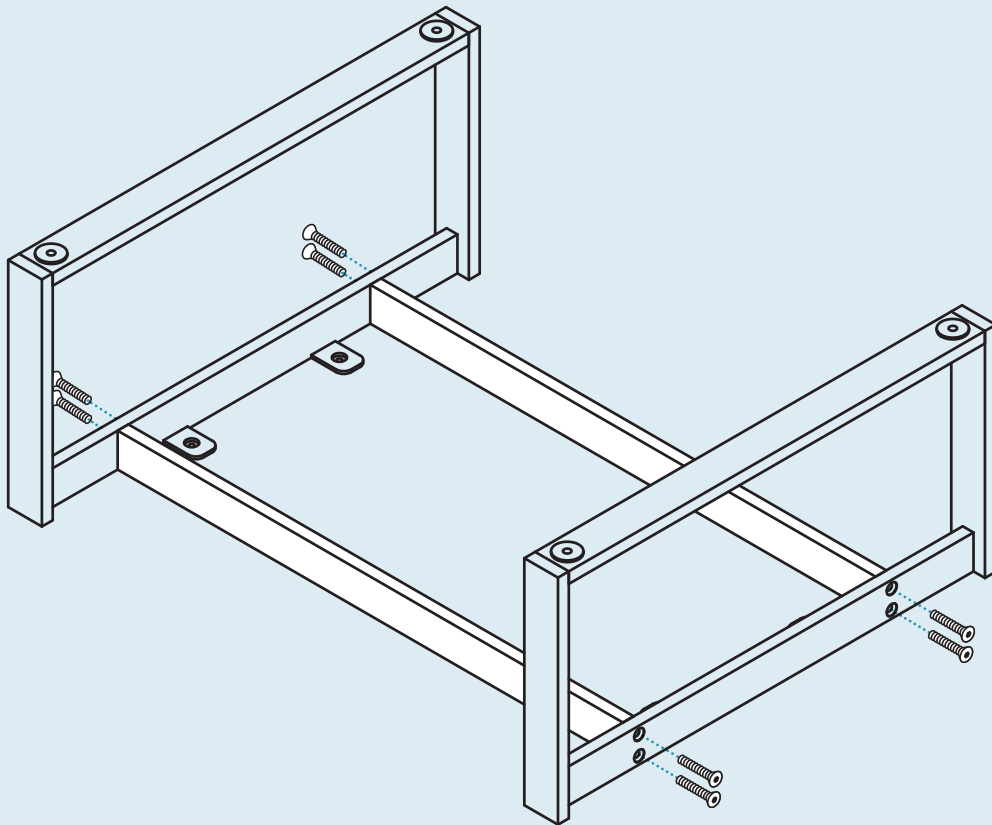


QTY 1
Case

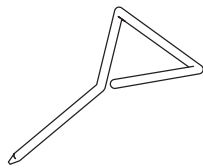
Step 01

ATTACH THE SUPPORTS.

Attach center supports to legs using provided hardware as shown.



PT. 1051 X 8

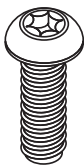
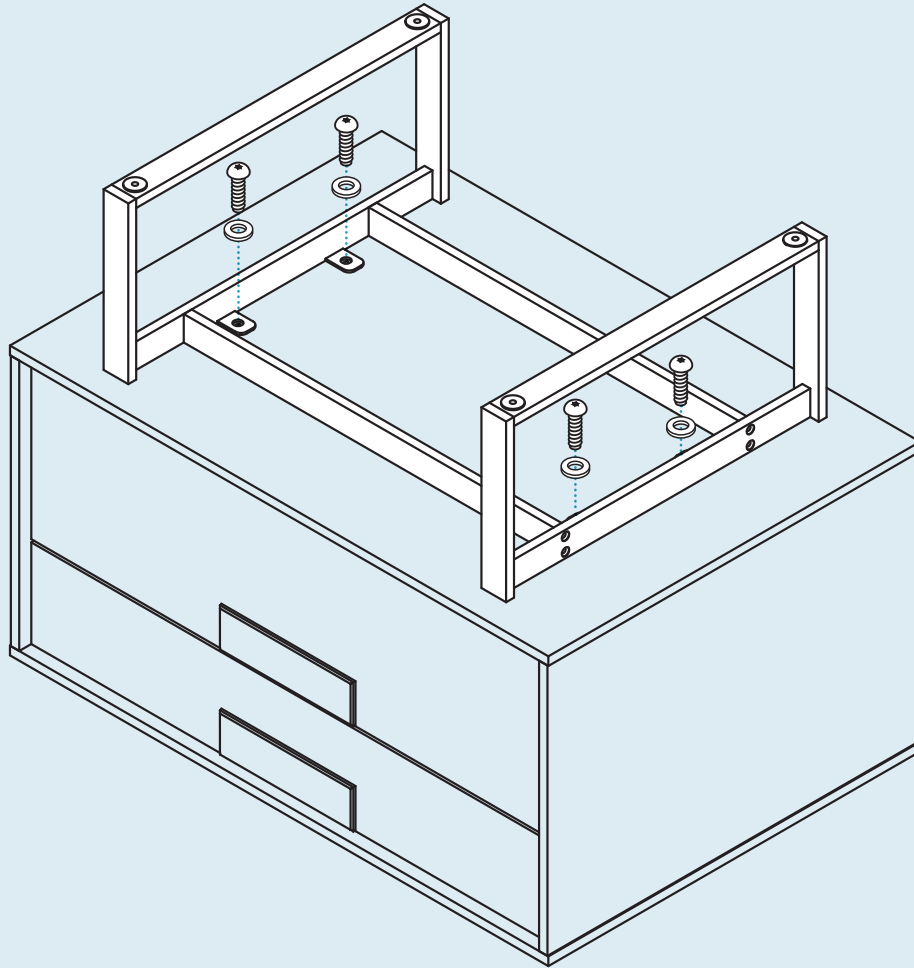


PT. 9009 X 1

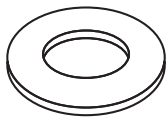
Step 02

ATTACH THE LEGS.

After the legs have been attached, have a second person help lift and bring the case upright in order to prevent leg damage.



PT. 1052 X 4



PT. 3002 X 4

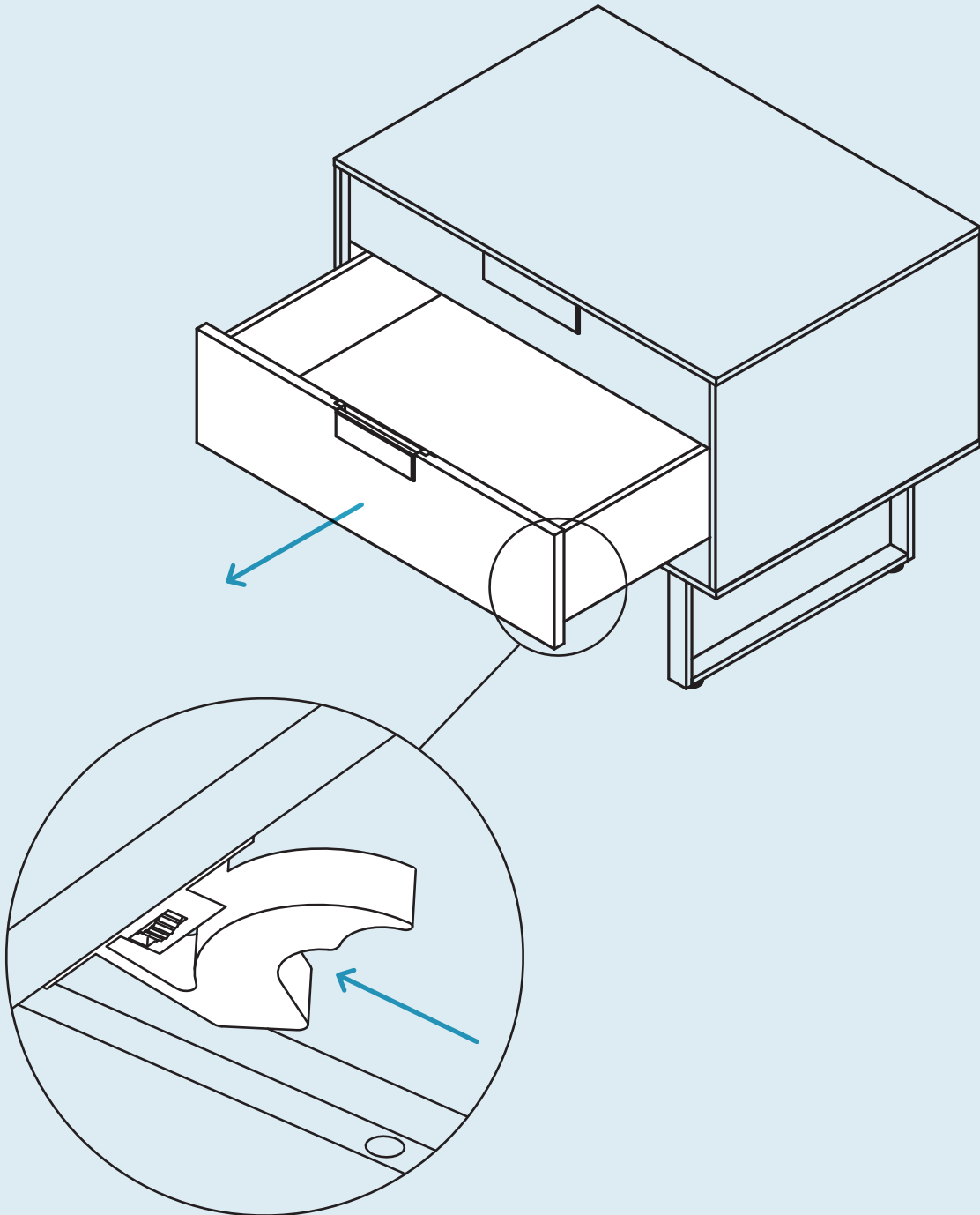


PT. 9004 X 1

Step 03

REMOVING THE DRAWER.

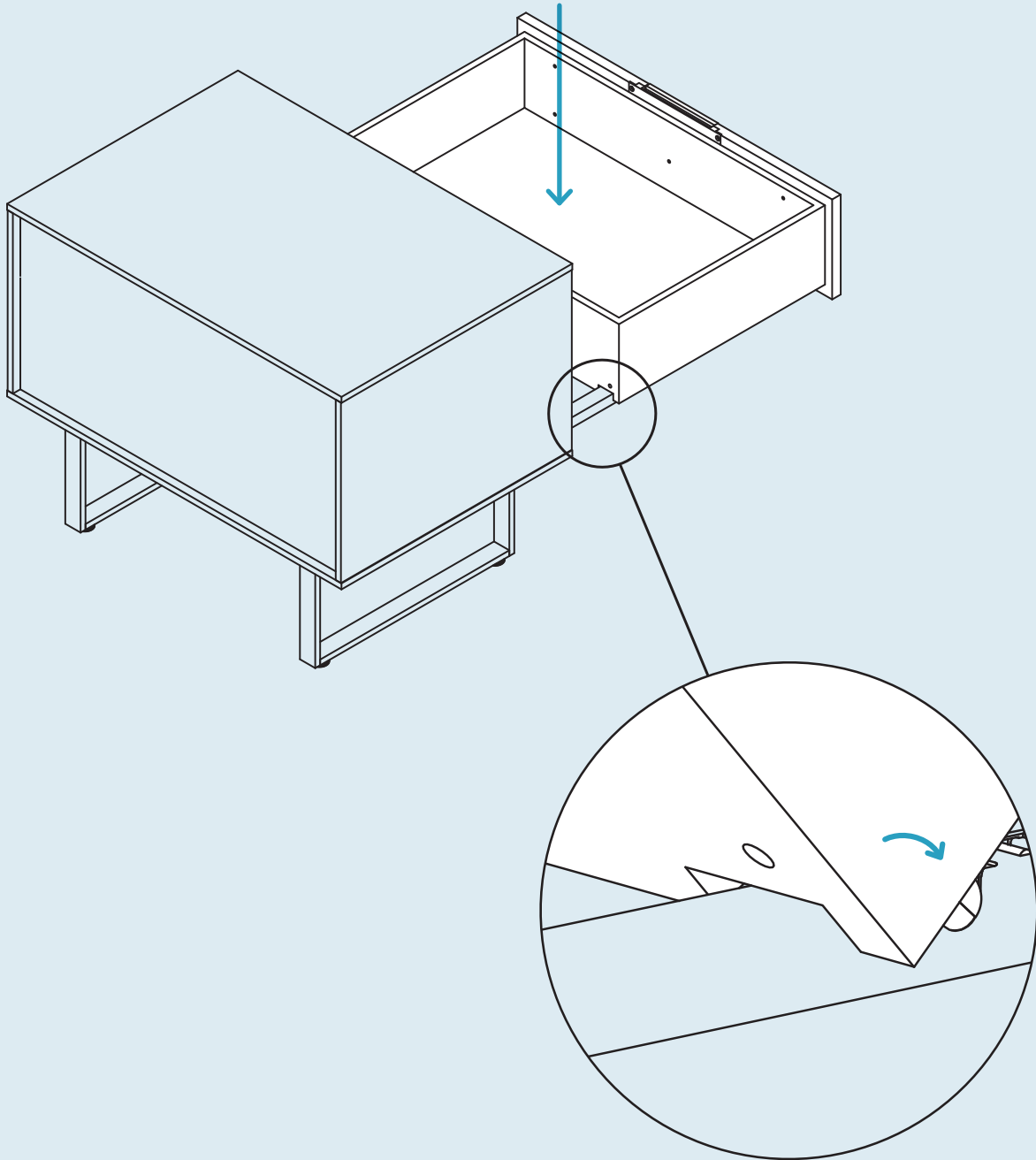
Extend the drawer completely. Squeeze both locks on the underside of the drawer while pulling the drawer out.



Step 04

REINSTALLING THE DRAWER.

Pull both sides Forward. Engage rear slide catches. Lower drawer front into place and push closed.



Additional Information

CLEAN

Clean with a slightly damp, soft cloth. To remove dirt and fingerprints, use a quality cleaner formulate for wood furniture. Wipe completely dry with a soft cloth in the direction of the wood grain.

